

TULEJE PROWADZĄCE SAMOSMARUJĄCE

SELF-LUBRICATING GUIDE BUSHES

BG07

Materiał / Material

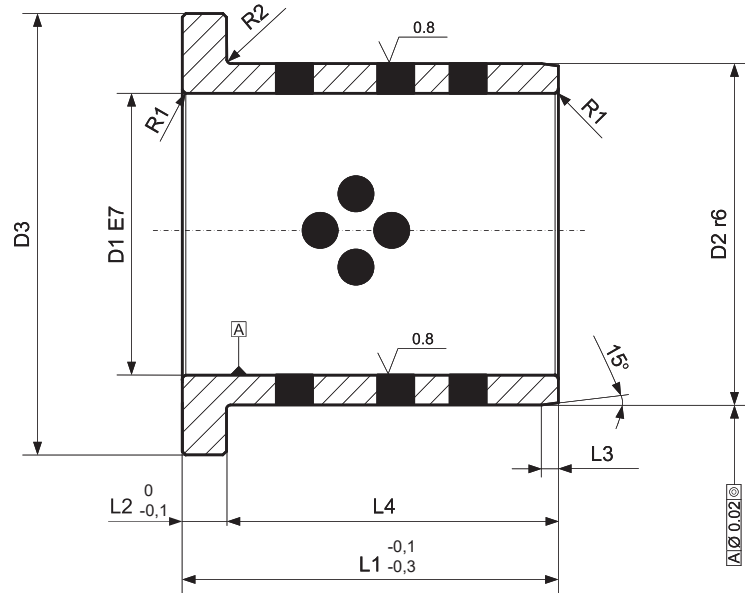
BRAZ + GRAFIT
BRONZE + GRAPHITE
HB > 190

Jak zamówić / How to order

Symbol: **BG07.040040**

Zaczepty str. H58
Retaining clamps page H58

Inne wymiary na żądanie
Other dimensions on demand



| Symbol | D1 | D2 | D3 | L1 | L2 | L3 | L4 | R1 | R2 |
|-------------|------|----|----|----|----|----|----|----|-----|
| BG07.010015 | 10 | 14 | 22 | 15 | 2 | 2 | 13 | 1 | 0,4 |
| BG07.010020 | | | | 20 | | | | | |
| BG07.012015 | 12 | 18 | 25 | 15 | 3 | 2 | 12 | 1 | 0,4 |
| BG07.012020 | | | | 20 | | | | | |
| BG07.013015 | 13 | 19 | 26 | 15 | 3 | 2 | 12 | 1 | 0,4 |
| BG07.013020 | | | | 20 | | | | | |
| BG07.014015 | 14 | 20 | 27 | 15 | 3 | 2 | 12 | 1 | 0,4 |
| BG07.014020 | | | | 20 | | | | | |
| BG07.015015 | 15 | 21 | 28 | 15 | 3 | 2 | 12 | 1 | 0,5 |
| BG07.015020 | | | | 20 | | | | | |
| BG07.015025 | | | | 25 | | | | | |
| BG07.015030 | | | | 30 | | | | | |
| BG07.016015 | 16 | 22 | 29 | 15 | 3 | 2 | 12 | 1 | 0,5 |
| BG07.016020 | | | | 20 | | | | | |
| BG07.016025 | | | | 25 | | | | | |
| BG07.016030 | | | | 30 | | | | | |
| BG07.020015 | 20 | 30 | 40 | 15 | 5 | 3 | 10 | 2 | 0,5 |
| BG07.020020 | | | | 20 | | | | | |
| BG07.020025 | | | | 25 | | | | | |
| BG07.020030 | | | | 30 | | | | | |
| BG07.020040 | 40 | 35 | | | | | | | |
| BG07.025015 | 25 | 35 | 45 | 15 | 5 | 3 | 10 | 2 | 0,5 |
| BG07.025020 | | | | 20 | | | | | |
| BG07.025025 | | | | 25 | | | | | |
| BG07.025030 | | | | 30 | | | | | |
| BG07.025040 | 40 | 35 | | | | | | | |
| BG07.030020 | 30 | 40 | 50 | 15 | 5 | 3 | 15 | 2 | 0,5 |
| BG07.030025 | | | | 20 | | | | | |
| BG07.030030 | | | | 25 | | | | | |
| BG07.030035 | | | | 30 | | | | | |
| BG07.030040 | | | | 35 | | | | | |
| BG07.030050 | | | | 40 | | | | | |
| BG07.031020 | 31,5 | 40 | 50 | 15 | 5 | 3 | 15 | 2 | 0,6 |
| BG07.031035 | | | | 20 | | | | | |

| Symbol | D1 | D2 | D3 | L1 | L2 | L3 | L4 | R1 | R2 |
|-------------|-----|------|-----|------|-----|----|------|----|-----|
| BG07.035020 | 35 | 45 | 60 | 20 | 5 | 3 | 15 | 2 | 0,6 |
| BG07.035030 | | | | 30 | | | | | |
| BG07.035040 | | | | 40 | | | | | |
| BG07.035050 | 50 | 45 | | | | | | | |
| BG07.040020 | 40 | 50 | 65 | 20 | 5 | 3 | 15 | 2 | 0,6 |
| BG07.040030 | | | | 30 | | | | | |
| BG07.040040 | | | | 40 | | | | | |
| BG07.040050 | 50 | 45 | | | | | | | |
| BG07.045030 | 45 | 55 | 70 | 30 | 5 | 3 | 25 | 2 | 0,6 |
| BG07.045040 | | | | 40 | | | | | |
| BG07.045050 | | | | 50 | | | | | |
| BG07.045060 | | | | 60 | | | | | |
| BG07.050030 | 50 | 60 | 75 | 30 | 5 | 3 | 25 | 2 | 0,6 |
| BG07.050040 | | | | 40 | | | | | |
| BG07.050050 | | | | 50 | | | | | |
| BG07.050060 | | | | 60 | | | | | |
| BG07.055040 | 55 | 65 | 80 | 40 | 5 | 3 | 35 | 2 | 0,7 |
| BG07.055060 | | | | 60 | | | | | |
| BG07.060040 | | | | 40 | | | 32,5 | | |
| BG07.060050 | 50 | 42,5 | | | | | | | |
| BG07.060080 | 80 | 72,5 | | | | | | | |
| BG07.063067 | 63 | 75 | 85 | 67,5 | 7,5 | 4 | 60 | 3 | 0,7 |
| BG07.070050 | 70 | 85 | 105 | 50 | 7,5 | 4 | 42,5 | 3 | 0,7 |
| BG07.070080 | 80 | 72,5 | | | | | | | |
| BG07.075060 | 75 | 90 | 110 | 60 | 7,5 | 4 | 52,5 | 3 | 0,7 |
| BG07.080060 | 60 | 50 | | | | | | | |
| BG07.080080 | 80 | 100 | 120 | 80 | 10 | 4 | 70 | 3 | 0,8 |
| BG07.080100 | 100 | 90 | | | | | | | |
| BG07.090060 | 60 | 50 | | | | | | | |
| BG07.090080 | 80 | 110 | 130 | 80 | 10 | 4 | 70 | 3 | 0,8 |
| BG07.100080 | 80 | 100 | 150 | 80 | 10 | 4 | 70 | 3 | 0,8 |
| BG07.100100 | 100 | 90 | | | | | | | |
| BG07.120080 | 80 | 120 | 170 | 80 | 10 | 4 | 70 | 3 | 0,8 |
| BG07.120100 | 100 | 90 | | | | | | | |

Elementy prowadzące do tłoczników