

TULEJE PROWADZĄCE SAMOSMARUJĄCE

SELF-LUBRICATING GUIDE BUSHES

BG04

AFNOR

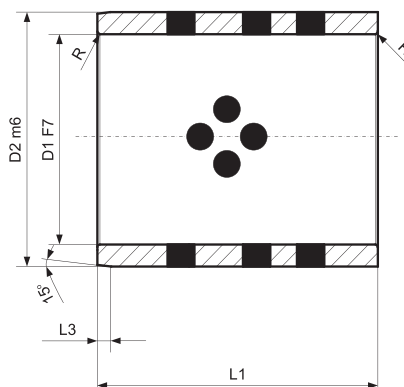
Materiał / Material

BRAZ + GRAFIT
BRONZE + GRAPHITE
HB > 190

Jak zamówić / How to order

Symbol: **BG04.253325**

Inne wymiary na żądanie
Other dimensions on demand



Symbol	D1	D2	L1	L3	R
BG04.081114	8	11	14	2	0.5
BG04.081115			15		
BG04.081208		12	8		
BG04.081210			10		
BG04.081212			12		
BG04.081215	15				
BG04.101408	10	14	8	2	0.5
BG04.101410			10		
BG04.101412			12		
BG04.101415			15		
BG04.101420			20		
BG04.101510	15	10	2	0.5	
BG04.121610	12	16			10
BG04.121612					12
BG04.121620		20			
BG04.121810		18			10
BG04.121812			12		
BG04.121815	15				
BG04.121816	16				
BG04.121820	20				
BG04.121825	25				
BG04.121830	30				
BG04.131910	13	19	10	2	0.5
BG04.131916			16		
BG04.131920			20		
BG04.142010	14	20	10	2	0.5
BG04.142012			12		
BG04.142016			16		
BG04.142020			20		
BG04.142025			25		
BG04.142030	30				
BG04.152110	15	21	10	2	0.5
BG04.152112			12		
BG04.152115			15		
BG04.152120			20		
BG04.152125			25		
BG04.152130	30				
BG04.162016	16	20	16	2	0.75
BG04.162020			20		
BG04.162025			25		
BG04.162028			28		
BG04.162210	16	22	10	2	0.75
BG04.162212			12		
BG04.162215			15		
BG04.162216			16		
BG04.162220			20		
BG04.162225			25		
BG04.162230			30		
BG04.162235			35		
BG04.162240			40		

Symbol	D1	D2	L1	L3	R
BG04.182412	18	24	12	2	0.75
BG04.182415			15		
BG04.182416			16		
BG04.182418			18		
BG04.182420			20		
BG04.182425	25				
BG04.182430	30				
BG04.182435	35				
BG04.182440	40				
BG04.192615	19	26	15	2	0.75
BG04.192620			20		
BG04.202615	20	26	15	4	0.75
BG04.202620			20		
BG04.202625			25		
BG04.202630			30		
BG04.202810			28		
BG04.202812		12			
BG04.202815		15			
BG04.202816		16			
BG04.202820		20			
BG04.202825		25			
BG04.202830	30				
BG04.202835	35				
BG04.202840	40				
BG04.202850	50				
BG04.203016	20	30	16	4	0.75
BG04.203020			20		
BG04.203025			25		
BG04.203030			30		
BG04.203035			35		
BG04.203040	40				
BG04.203050	50				
BG04.223212	22	32	12	4	0.75
BG04.223215			15		
BG04.223220			20		
BG04.223225			25		
BG04.253020	25	30	20	4	0.75
BG04.253312			12		
BG04.253316			16		
BG04.253320			20		
BG04.253325			25		
BG04.253330		30			
BG04.253335		35			
BG04.253340		40			
BG04.253350		50			
BG04.253360		60			
BG04.253512	25	35	12	4	0.75
BG04.253516			16		
BG04.253520			20		
BG04.253525			25		

TULEJE PROWADZĄCE SAMOSMARUJĄCE

SELF-LUBRICATING GUIDE BUSHES

BC04

AFNOR

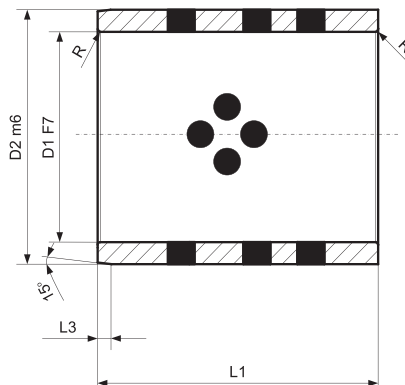
Materiał / Material

BRAZ + GRAFIT
BRONZE + GRAPHITE
HB > 190

Jak zamówić / How to order

Symbol: BG04.405550

Inne wymiary na żądanie
Other dimensions on demand



Symbol	D1	D2	L1	L3	R
BG04.253530	25	35	30	4	0.75
BG04.253535			35		
BG04.253540			40		
BG04.253550			50		
BG04.253560			60		
BG04.303815	30	38	15	4	0.75
BG04.303820			20		
BG04.303825			25		
BG04.303830			30		
BG04.303835			35		
BG04.303840			40		
BG04.303845			45		
BG04.303850			50		
BG04.303860			60		
BG04.304020			40		
BG04.304025	25				
BG04.304030	30				
BG04.304035	35				
BG04.304040	40				
BG04.304050	50				
BG04.304060	60				
BG04.304540	45	40		4	0.75
BG04.314030	31	40	30		
BG04.314040			40		
BG04.324230	32	42	30	4	0.75
BG04.324240			40		
BG04.354425	35	44	25	4	0.75
BG04.354430			30		
BG04.354435			35		
BG04.354440			40		
BG04.354450			50		
BG04.354460	60				
BG04.354520	35	45	20	4	0.75
BG04.354525			25		
BG04.354530			30		
BG04.354535			35		
BG04.354540			40		
BG04.354545			45		
BG04.354550			50		
BG04.354560			60		
BG04.3545100			100		
BG04.384830			38		
BG04.384840	40				
BG04.405020	40	50	20	4	0.75
BG04.405025			25		
BG04.405030			30		
BG04.405035			35		
BG04.405040			40		
BG04.405050			50		
BG04.405060			60		
BG04.405070			70		
BG04.405080			80		

Symbol	D1	D2	L1	L3	R				
BG04.405525	40	55	25	4	0.75				
BG04.405530			30						
BG04.405535			35						
BG04.405540			40						
BG04.405550			50						
BG04.405560	60								
BG04.455530	45	55	30	4	1.5				
BG04.455535			35						
BG04.455540			40						
BG04.455550			50						
BG04.455560			60						
BG04.4555110			110						
BG04.455630			45			56	30	4	1.5
BG04.455635							35		
BG04.455640							40		
BG04.455650							50		
BG04.455660	60								
BG04.456030	60	60		30	4		1.5		
BG04.456040				40					
BG04.456050				50					
BG04.456060			60						
BG04.456070			70						
BG04.456080			80						
BG04.506030	50	60	30	4	1.5				
BG04.506035			35						
BG04.506040			40						
BG04.506050			50						
BG04.506060			60						
BG04.506070			70						
BG04.506080			80						
BG04.506230			50			62	30	4	1.5
BG04.506235	35								
BG04.506240	40								
BG04.506250	50								
BG04.506260	60								
BG04.506270	70								
BG04.506280	80								
BG04.506530	50	65		30	4		1.5		
BG04.506540				40					
BG04.506550				50					
BG04.506560			60						
BG04.506570			70						
BG04.506580			80						
BG04.5065100			100						
BG04.557040			55	70		40		4	1.5
BG04.557050	50								
BG04.557060	60								
BG04.557070	70								

Elementy prowadzące do tłoczników

TULEJE PROWADZĄCE SAMOSMARUJĄCE

SELF-LUBRICATING GUIDE BUSHES

BG04

AFNOR

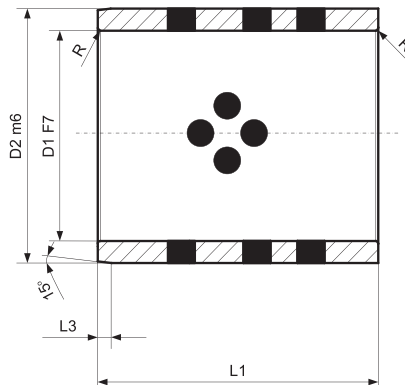
Materiał / Material

BRAZ + GRAFIT
BRONZE + GRAPHITE
HB > 190

Jak zamówić / How to order

Symbol: **BG04.8010060**

Inne wymiary na żądanie
Other dimensions on demand



Symbol	D1	D2	L1	L3	R	
BG04.607050	60	70	50	4	1.5	
BG04.607430			30			
BG04.607435		35				
BG04.607440		40				
BG04.607445		45				
BG04.607450		50				
BG04.607460		60				
BG04.607470		70				
BG04.607480		80				
BG04.607530		75	74			30
BG04.607535						35
BG04.607540						40
BG04.607550						50
BG04.607560						60
BG04.607570						70
BG04.607580						80
BG04.6075100	100					
BG04.637560	75			75	60	
BG04.637570					70	
BG04.637580	80					
BG04.658050	65	80		50		
BG04.658060				60		
BG04.658070		70				
BG04.658080	80					
BG04.708535	70	85		35		
BG04.708540			40			
BG04.708550			50			
BG04.708560			60			
BG04.708570			70			
BG04.708580			80			
BG04.7085100			100			
BG04.709040			90	40		
BG04.709050				50		
BG04.709060				60		
BG04.709070				70		
BG04.709080				80		
BG04.759060				75	90	60
BG04.759070			70			
BG04.759080			80			
BG04.7590100			100			
BG04.759560	95	60				
BG04.759570		70				
BG04.759580		80				
BG04.7595100		100				

Symbol	D1	D2	L1	L3	R		
BG04.809640	80	96	40	4	3		
BG04.809650			50				
BG04.809660			60				
BG04.809670			70				
BG04.809680			80				
BG04.8096100			100				
BG04.8096120			120				
BG04.8010040			100			80	40
BG04.8010050							50
BG04.8010060							60
BG04.8010070	70						
BG04.8010080	80						
BG04.80100100	100						
BG04.80100120	120						
BG04.80100140	140						
BG04.9011050	90	110		50			
BG04.9011060				60			
BG04.9011070			70				
BG04.9011080			80				
BG04.90110100	100						
BG04.90110120	120						
BG04.10012060	100		120	60			
BG04.10012070				70			
BG04.10012080				80			
BG04.100120100				100			
BG04.100120120	120						
BG04.100120140	140						
BG04.11013080	110	130		80			
BG04.110130100				100			
BG04.110130120				120			
BG04.12014080				80			
BG04.120140100	100						
BG04.120140120	120						
BG04.120140140	140						
BG04.125145100	125			145	100		
BG04.125145120					120		
BG04.130150100	130				150	100	
BG04.130150120			120				
BG04.130150130			130				
BG04.140160100	140		160			100	
BG04.140160140						140	
BG04.150170100	150					170	100
BG04.150170150							150
BG04.160180100		100					
BG04.160180150	150						

Elementy prowadzące do tłoczników