

TULEJE PROWADZĄCE Z KOŁNIERZEM

GUIDE BUSHES WITH COLLAR

B1
STANDARD
WŁOSKI

Materiał / Material

1.7131

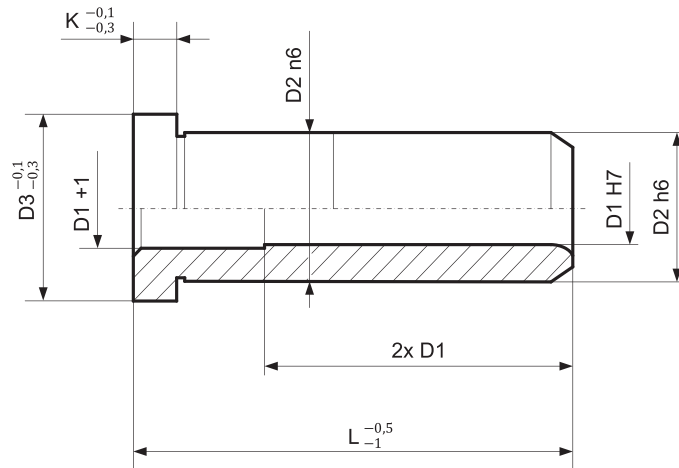
Twardość / Hardness

61 ± 63 HRC

Jak zamówić / How to order

Symbol: B12534116

Inne wymiary na życzenie
Other dimensions on demand



Elementy prowadzące do form wtryskowych

Symbol	D1	L	D2	D3	K
B11222	12	22	18	22	5
B11226		26			
B11236		36			
B11246		46			
B11256	56	14	20	24	5
B11422	22				
B11426	26				
B11436	36				
B11446	46	16	22	26	5
B11456	56				
B11466	66				
B11622	22				
B11626	26	18	26	30	5
B11636	36				
B11646	46				
B11656	56				
B11666	66	20	28	32	6
B11676	76				
B11686	86				
B11696	96				
B11822	22	25	34	38	7
B11826	26				
B11836	36				
B11846	46				
B11846	46	32	40	45	7
B11856	56				
B11866	66				
B11876	76				
B11886	86	30	32	36	6
B11896	96				
B1202822	22				
B1202826	26				
B1202836	36	60	74	84	12
B1202846	46				
B1202856	56				
B1202866	66				
B1202876	76	25	36	40	7
B1202886	86				
B1202896	96				
B12028106	106				
B1253626	26	32	40	45	7
B1253636	36				
B1253646	46				
B1253656	56				
B1253666	66	32	40	45	7
B1253676	76				
B1253686	86				
B1253696	96				
B12536106	106	32	40	45	7
B12536116	116				
B12536126	126				
B13226	26				
B13236	36	60	74	84	12
B13246	46				
B160116	116				
B160126	126				
B160146	146	60	74	84	12
B160156	156				
B160176	176				
B160196	196				

Symbol	D1	L	D2	D3	K
B12028116	20	116	28	32	6
B12028126		126			
B1203022		22			
B1203026		26			
B1203036	36	20	30	34	6
B1203046	46				
B1203056	56				
B1203066	66				
B1203076	76	25	34	38	7
B1203086	86				
B1203096	96				
B1203106	106				
B12030116	116	25	34	38	7
B12030126	126				
B1253426	26				
B1253436	36				
B1253446	46	25	34	38	7
B1253456	56				
B1253466	66				
B1253476	76				
B1253486	86	25	36	40	7
B1253496	96				
B12534106	106				
B12534116	116				
B12534126	126	25	36	40	7
B1253626	26				
B1253636	36				
B1253646	46				
B1253656	56	25	36	40	7
B1253666	66				
B1253676	76				
B1253686	86				
B1253696	96	25	36	40	7
B12536106	106				
B12536116	116				
B12536126	126				
B13226	26	32	40	45	7
B13236	36				
B13246	46				
B160116	116				
B160126	126	60	74	84	12
B160146	146				
B160156	156				
B160176	176				
B160196	196				

Symbol	D1	L	D2	D3	K
B13256	32	56	40	45	7
B13266		66			
B13276		76			
B13286		86			
B13296	96	40	48	52	8
B132106	106				
B132116	116				
B132126	126				
B132136	136	40	48	52	8
B132146	146				
B14036	36				
B14046	46				
B14056	56	40	48	52	8
B14066	66				
B14076	76				
B14086	86				
B14096	96	40	48	52	8
B140106	106				
B140116	116				
B140126	126				
B140136	136	40	48	52	8
B140146	146				
B15076	76				
B15086	86				
B15096	96	50	60	65	10
B150106	106				
B150116	116				
B150126	126				
B150136	136	50	60	65	10
B150146	146				
B150156	156				
B16096	96				
B160106	106	60	74	84	12
B160116	116				
B160126	126				
B160146	146				
B160156	156	60	74	84	12
B160176	176				
B160196	196				