

SŁUPY PROWADZĄCE

GUIDE PILLARS

Materiał / Material

1.7131

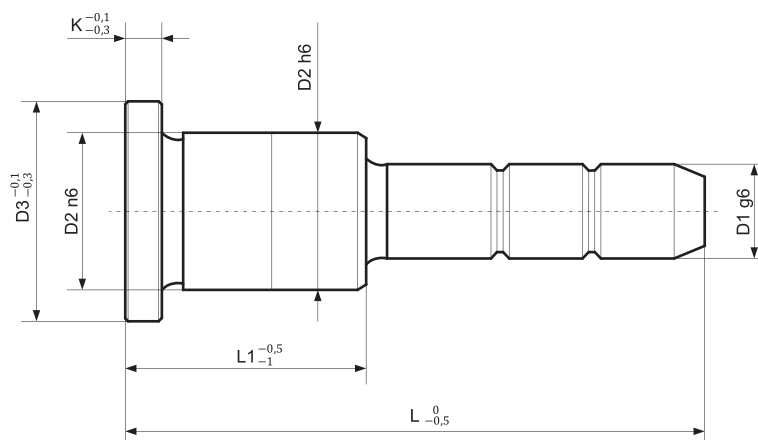
Twardość / Hardness

61 + 63 HRC

Jak zamówić / How to order

Symbol: C11626100

Inne wymiary na żądanie
Other dimensions on demand



Symbol	D1	L1	L	D2	D3	K
C1122250	12	22	50	18	22	5
C1122260			60			
C1122270			70			
C1122280			80			
C1122290			90			
C11222100			100			
C1122650	12	26	50	18	22	5
C1122660			60			
C1122670			70			
C1122680			80			
C1122690			90			
C11226100			100			
C1123650	12	36	50	18	22	5
C1123660			60			
C1123670			70			
C1123680			80			
C1123690			90			
C11236100			100			
C11236120	120					
C1124670	12	46	70	18	22	5
C1124680			80			
C1124690			90			
C11246100			100			
C11246120			120			
C1125690			90			
C11256100	100					
C11256120	120					
C1142250	14	22	50	20	24	5
C1142260			60			
C1142270			70			
C1142280			80			
C1142290			90			
C11422100			100			
C1142660	14	26	60	20	24	5
C1142670			70			
C1142680			80			
C1142690			90			
C11426100			100			
C11426120			120			
C1143670	14	36	70	20	24	5
C1143680			80			
C1143690			90			
C11436100			100			
C11436120			120			
C11436120			120			

Symbol	D1	L1	L	D2	D3	K
C1144670	14	46	70	20	24	5
C1144680			80			
C1144690			90			
C11446100			100			
C11446120			120			
C1145690			90			
C11456100	100					
C11456120	120					
C1162250	16	22	50	22	26	5
C1162260			60			
C1162270			70			
C1162280			80			
C1162290			90			
C11622100			100			
C11622120	120					
C1162650	16	26	50	22	26	5
C1162660			60			
C1162670			70			
C1162680			80			
C1162690			90			
C11626100			100			
C11626120	120					
C11626140	140					
C1163660	16	36	60	22	26	5
C1163670			70			
C1163680			80			
C1163690			90			
C11636100			100			
C11636120			120			
C11636140	140					
C1164670	16	46	70	22	26	5
C1164680			80			
C1164690			90			
C11646100			100			
C11646120			120			
C11646140			140			
C11646160	160					
C1165680	16	56	80	22	26	5
C1165690			90			
C11656100			100			
C11656120			120			
C11656140			140			
C11656160			160			
C11656180	180					
C11656200	200					

Elementy prowadzące do form wtryskowych

Symbol	D1	L1	L	D2	D3	K					
C11666100	16	66	100	22	26	5					
C11666120			120								
C11666140			140								
C11666160			160								
C11666180			180								
C11666200			200								
C11676100	16	76	100	22	26	5					
C11676120			120								
C11676140			140								
C11676160			160								
C11676180			180								
C11676200			200								
C11696140	16	96	140	22	26	5					
C11696160			160								
C11696180			180								
C11696200			200								
C1182660	18	26	60	26	30	5					
C1182670			70								
C1182680			80								
C1182690			90								
C11826100			100								
C1183660			18				36	60	26	30	5
C1183670	70										
C1183680	80										
C1183690	90										
C11836100	100										
C11836120	120										
C11836140	140										
C1184670	18	46	70	26	30	5					
C1184680			80								
C1184690			90								
C11846100			100								
C11846120			120								
C11846140			140								
C11846160	160										
C1185680	18	56	80	26	30	5					
C1185690			90								
C11856100			100								
C11856120			120								
C11856140			140								
C11856160			160								
C11856180	180										
C11866100	18	66	100	26	30	5					
C11866120			120								
C11866140			140								
C11866160			160								
C11866180			180								
C11876120			18				76	120	26	30	5
C11876140	140										
C11876160	160										
C11876180	180										
C120282660	20	26		60	28	32		6			
C120282670				70							
C120282680			80								
C120282690			90								
C1202826100			100								
C1202826120			120								
C1202826140	140										
C120283660	20	36	60	28	32	6					
C120283670			70								
C120283680			80								
C120283690			90								
C1202836100			100								
C1202836120			120								
C1202836140	140										
C1202836160	160										

Symbol	D1	L1	L	D2	D3	K					
C120284670	20	46	70	28	32	6					
C120284680			80								
C120284690			90								
C1202846100			100								
C1202846120			120								
C1202846140			140								
C1202846160	20	56	160	28	32	6					
C120285680			80								
C120285690			90								
C1202856100			100								
C1202856120			120								
C1202856140			140								
C1202856160	160										
C1202856180	180										
C1202856200	200										
C1202866100	20	66	100	28	32	6					
C1202866120			120								
C1202866140			140								
C1202866160			160								
C1202866180			180								
C1202866200			200								
C1202876120	20	76	120	28	32	6					
C1202876140			140								
C1202876160			160								
C1202876180			180								
C1202876200			200								
C1202886140			20				86	140	28	32	6
C1202886160	160										
C1202886180	180										
C1202886200	200										
C1202896140	20	96		140	28	32		6			
C1202896160				160							
C1202896180			180								
C1202896200			200								
C120302660			20	26			60		30	34	6
C120302670							70				
C120302680	80										
C120302690	90										
C1203026100	100										
C1203026120	120										
C1203026140	140										
C120303660	20	36	60	30	34	6					
C120303670			70								
C120303680			80								
C120303690			90								
C1203036100			100								
C1203036120			120								
C1203036140	140										
C1203036160	20	46	160	30	34	6					
C120304670			70								
C120304680			80								
C120304690			90								
C1203046100			100								
C1203046120			120								
C1203046140	140										
C1203046160	160										
C120305680	20	56	80	30	34	6					
C120305690			90								
C1203056100			100								
C1203056120			120								
C1203056140			140								
C1203056160			160								
C1203056180	180										
C1203056200	200										

SŁUPY PROWADZĄCE

GUIDE PILLARS

Materiał / Material

1.7131

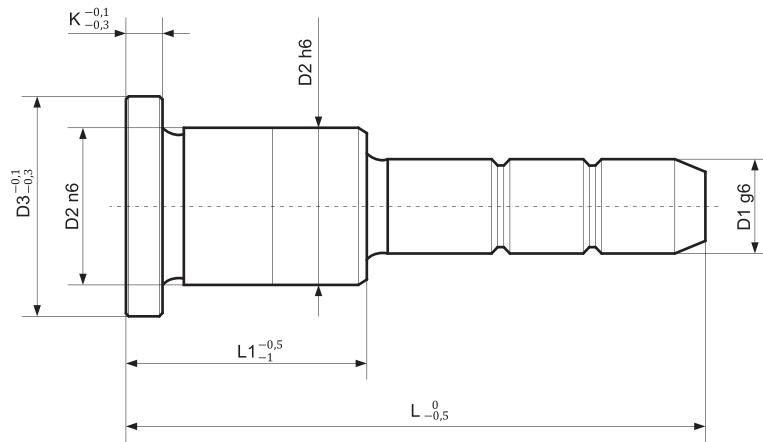
Twardość / Hardness

61 ± 63 HRC

Jak zamówić / How to order

Symbol: C11626100

Inne wymiary na życzenie
Other dimensions on demand



Symbol	D1	L1	L	D2	D3	K					
C1203066100	20	66	100	30	34	6					
C1203066120			120								
C1203066140			140								
C1203066160			160								
C1203066180			180								
C1203066200		200									
C1203076120	20	76	120	30	34	6					
C1203076140			140								
C1203076160			160								
C1203076180			180								
C1203076200			200								
C1203086140	20	86	140	30	34	6					
C1203086160			160								
C1203086180			180								
C1203086200			200								
C1203096140			20				96	140	30	34	6
C1203096160	160										
C1203096180	180										
C1203096200	200										
C125342680	25	26		80	34	38		7			
C125342690			90								
C1253426100			100								
C125343680			25	36			80		34	38	7
C125343690							90				
C1253436100	100										
C1253436120	120										
C1253436140	140										
C1253436160		160									
C1253436180		180									
C125344690	25	46	90	34	38	7					
C1253446100			100								
C1253446120			120								
C1253446140			140								
C1253446160			160								
C1253446180		180									
C1253446200		200									
C1253456100	25	56	100	34	38	7					
C1253456120			120								
C1253456140			140								
C1253456160			160								
C1253456180			180								
C1253456200		200									
C1253456220		220									
C1253456240		240									

Symbol	D1	L1	L	D2	D3	K
C1253466120	25	66	120	34	38	7
C1253466140			140			
C1253466160			160			
C1253466180			180			
C1253466200			200			
C1253466220		220				
C1253466240		240				
C1253466260		260				
C1253466280		280				
C1253476120	25	76	120	34	38	7
C1253476140			140			
C1253476160			160			
C1253476180			180			
C1253476200			200			
C1253476220		220				
C1253476240		240				
C1253476260		260				
C1253476280		280				
C1253486140	25	86	140	34	38	7
C1253486160			160			
C1253486180			180			
C1253486200			200			
C1253486220			220			
C1253486240		240				
C1253486260		260				
C1253486280		280				
C1253496140	25	96	140	34	38	7
C1253496160			160			
C1253496180			180			
C1253496200			200			
C1253496220			220			
C1253496240		240				
C1253496260		260				
C1253496280		280				
C12534116160	25	116	160	34	38	7
C12534116180			180			
C12534116200			200			
C12534116220			220			
C12534116240						
C12534116260		260				
C12534116280		280				
C125362680	25	26	80	36	40	7
C125362690			90			
C1253626100			100			

Elementy prowadzące do form wtryskowych

SŁUPY PROWADZĄCE

GUIDE PILLARS



Elementy prowadzące do form wtryskowych

Symbol	D1	L1	L	D2	D3	K
C1253646120	25	46	120	36	40	7
C1253646140			140			
C1253646160			160			
C1253646180			180			
C1253646200			200			
C1253656100	25	56	100	36	40	7
C1253656120			120			
C1253656140			140			
C1253656160			160			
C1253656180			180			
C1253656200			200			
C1253656220			220			
C1253656240	240					
C1253666120	25	66	120	36	40	7
C1253666140			140			
C1253666160			160			
C1253666180			180			
C1253666200			200			
C1253666220			220			
C1253666240			240			
C1253666260	260					
C1253666280	280					
C1253676120	25	76	120	36	40	7
C1253676140			140			
C1253676160			160			
C1253676180			180			
C1253676200			200			
C1253676220			220			
C1253676240			240			
C1253676260	260					
C1253676280	280					
C1253686140	25	86	140	36	40	7
C1253686160			160			
C1253686180			180			
C1253686200			200			
C1253686220			220			
C1253686240			240			
C1253686260			260			
C1253686280	280					
C1253696140	25	96	140	36	40	7
C1253696160			160			
C1253696180			180			
C1253696200			200			
C1253696220			220			
C1253696240			240			
C1253696260			260			
C1253696280	280					
C12536116160	25	116	160	36	40	7
C12536116180			180			
C12536116200			200			
C12536116220			220			
C12536116240			240			
C12536116260			260			
C12536116280			280			
C13236100	32	36	100	40	45	7
C13236120			120			
C13246100	32	46	100	40	45	7
C13246120			120			
C13246140			140			
C13246160			160			
C13256100	32	56	100	40	45	7
C13256120			120			
C13256140			140			
C13256160			160			
C13256180			180			
C13256200			200			
C13256220			220			
C13256240			240			

Symbol	D1	L1	L	D2	D3	K
C13266120	32	66	120	40	45	7
C13266140			140			
C13266160			160			
C13266180			180			
C13266200			200			
C13266220	220					
C13266240	240					
C13266260	260					
C13266280	280					
C13276140	32	76	140	40	45	7
C13276160			160			
C13276180			180			
C13276200			200			
C13276220			220			
C13276240	240					
C13276260	260					
C13276280	280					
C13286160	32	86	160	40	45	7
C13286180			180			
C13286200			200			
C13286220			220			
C13286240			240			
C13286260	260					
C13286280	280					
C13296160	32	96	160	40	45	7
C13296180			180			
C13296200			200			
C13296220			220			
C13296240			240			
C13296260			260			
C13296280			280			
C13296300	300					
C13296340	340					
C132106160	32	106	160	40	45	7
C132106180			180			
C132106200			200			
C132106220			220			
C132106240			240			
C132106260			260			
C132106280			280			
C132106300	300					
C132106340	340					
C132116160	32	116	160	40	45	7
C132116180			180			
C132116200			200			
C132116220			220			
C132116240			240			
C132116260			260			
C132116280			280			
C132116300	300					
C132116340	340					
C132116400	400					
C132126180	32	126	180	40	45	7
C132126200			200			
C132126220			220			
C132126240			240			
C132126260			260			
C132126280			280			
C132126300			300			
C132126340	340					
C132126400	400					
C132146200	32	146	200	40	45	7
C132146220			220			
C132146240			240			
C132146260			260			
C132146280			280			
C132146300			300			
C132146340			340			
C132146400	400					

SŁUPY PROWADZĄCE

GUIDE PILLARS

Materiał / Material

1.7131

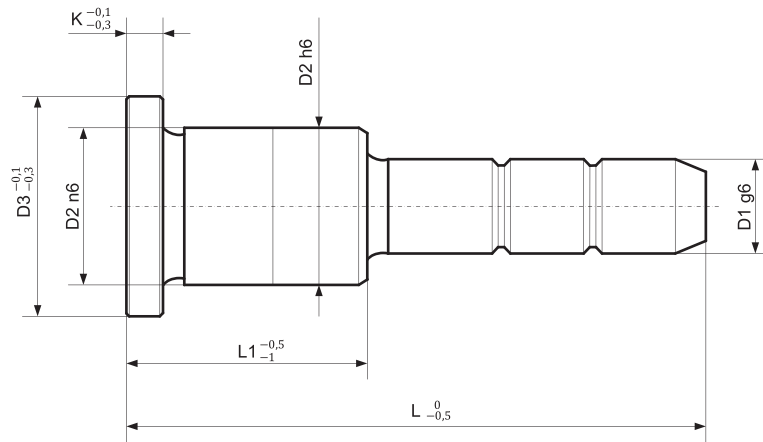
Twardość / Hardness

61 + 63 HRC

Jak zamówić / How to order

Symbol: C11626100

Inne wymiary na żądanie
Other dimensions on demand



Symbol	D1	L1	L	D2	D3	K
C14046120	40	46	120	48	52	8
C14046140			140			
C14046160			160			
C14046180			180			
C14046200			200			
C14056120	40	56	120	48	52	8
C14056140			140			
C14056160			160			
C14056180			180			
C14056200			200			
C14056220	220					
C14066160	40	66	160	48	52	8
C14066180			180			
C14066200			200			
C14066220			220			
C14066240			240			
C14076160	40	76	160	48	52	8
C14076180			180			
C14076200			200			
C14076220			220			
C14076240			240			
C14076260	260					
C14086160	40	86	160	48	52	8
C14086180			180			
C14086200			200			
C14086220			220			
C14086240			240			
C14086260	260					
C14086280	280					
C14096160	40	96	160	48	52	8
C14096180			180			
C14096200			200			
C14096220			220			
C14096240			240			
C14096260	260					
C14096280	280					
C14096300	300					
C14096340	340					
C140106180	40	106	180	48	52	8
C140106200			200			
C140106220			220			
C140106240			240			
C140106260			260			
C140106280	280					
C140106300	300					
C140106340	340					

Symbol	D1	L1	L	D2	D3	K
C140116180	40	116	180	48	52	8
C140116200			200			
C140116220			220			
C140116240			240			
C140116260			260			
C140116280	280					
C140116300	300					
C140116340	340					
C140116400	400					
C140126180	40	126	180	48	52	8
C140126200			200			
C140126220			220			
C140126240			240			
C140126260			260			
C140126280	280					
C140126300	300					
C140126340	340					
C140126400	400					
C140146240	40	146	240	48	52	8
C140146260			260			
C140146280			280			
C140146300			300			
C140146340			340			
C140146400	400					
C15096180	50	96	180	60	65	10
C15096200			200			
C15096220			220			
C15096240			240			
C15096260			260			
C15096280	280					
C15096300	300					
C15096340	340					
C150126220	50	126	220	60	65	10
C150126240			240			
C150126260			260			
C150126280			280			
C150126300			300			
C150126340	340					
C150126400	400					
C150146240	50	146	240	60	65	10
C150146260			260			
C150146280			280			
C150146300			300			
C150146340			340			
C150146400	400					

Elementy prowadzące do form wtryskowych