

WYPYCHACZE TULEJOWE AZOTOWANE, OKSYDOWANE Z ŁBEM CYLINDRYCZNYM

EJECTOR SLEEVES NITRIDED, OXIDIZED WITH CYLINDRICAL HEAD

DIN 16756 / ISO 8405

ECBB

Materiał / Material

WS - 1.2344
Łeb spęczany. Trzpień szlifowany i azotowany, oksydowany
Cylindrical head hot folded. Shaft fine ground finished, nitrided and black oxidized.

Twardość / Hardness

Powierzchnia / Surface 70 HRC
Rdzeń / Core 40-45 HRC
Łeb / Head 45±5 HRC

Warunki pracy / working conditions

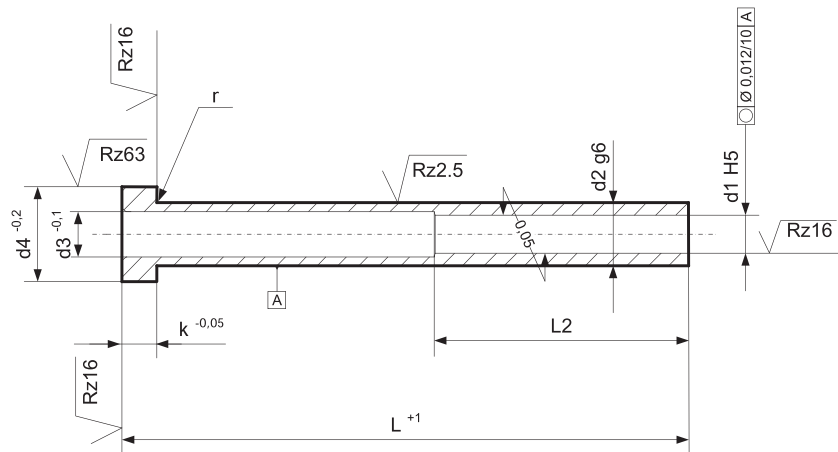
Odporność temp. / Temp. resistance: 650 °C
Wytrzymałość powłoki / Surface STRENGTH 950Kg/mm² - 0,3Kp
Wytrzymałość rdzenia / Core STRENGTH approx. 400- 450 Kg/mm²

Jak zamówić / How to order

Symbol: ECBB
d1: + 6,0
d2: + 10,0
L: + 200

ECBB 6,0x10,0x200

Inne wymiary na żądanie
Other dimensions on demand



d1	d2	d3	d4	k	L2	r	L +1												
							75	100	125	150	175	200	225	250	275	300			
2,0	4,0	2,5	8,0	3,0	35,0	0,3	x	x	x	x	x	x	x						
2,2	4,0	2,5	8,0	3,0	35,0	0,3	x	x	x	x	x	x	x						
2,5	5,0	3,0	10,0	3,0	35,0	0,3	x	x	x	x	x	x	x						
2,7	5,0	3,0	10,0	3,0	45,0	0,3	x	x	x	x	x	x	x						
3,0	5,0	3,5	10,0	3,0	45,0	0,3	x	x	x	x	x	x	x						
3,2	5,0	3,5	10,0	3,0	45,0	0,3	x	x	x	x	x	x	x	x					
3,5	6,0	4,0	12,0	5,0	45,0	0,5	x	x	x	x	x	x	x	x					
3,7	6,0	4,0	12,0	5,0	45,0	0,5	x	x	x	x	x	x	x	x					
4,0	6,0	4,5	12,0	5,0	45,0	0,5	x	x	x	x	x	x	x	x					
4,2	8,0	5,0	14,0	5,0	45,0	0,5	x	x	x	x	x	x	x	x	x				
4,5	8,0	5,0	14,0	5,0	45,0	0,5	x	x	x	x	x	x	x	x	x				
5,0	8,0	5,5	14,0	5,0	45,0	0,5	x	x	x	x	x	x	x	x	x				
5,2	8-9	5,5	14,0	5,0	45,0	0,5	x	x	x	x	x	x	x	x	x	x			
5,5	9,0	6,0	16,0	5,0	45,0	0,5	x	x	x	x	x	x	x	x	x	x			
6,0	10,0	6,5	16,0	5,0	45,0	0,5	x	x	x	x	x	x	x	x	x	x			
6,2	10,0	6,5	16,0	5,0	45,0	0,5	x	x	x	x	x	x	x	x	x	x			
6,5	10,0	7,0	16,0	5,0	45,0	0,5	x	x	x	x	x	x	x	x	x	x			
8,0	12,0	8,5	20,0	7,0	45,0	0,8	x	x	x	x	x	x	x	x	x	x			
8,2	12,0	8,5	20,0	7,0	45,0	0,8	x	x	x	x	x	x	x	x	x	x			
10,0	14,0	10,5	22,0	7,0	50,0	0,8	x	x	x	x	x	x	x	x	x	x			
10,5	14,0	11,0	22,0	7,0	50,0	0,8	x	x	x	x	x	x	x	x	x	x			
12,0	16,0	12,5	22,0	7,0	50,0	0,8	x	x	x	x	x	x	x	x	x	x			
12,5	16,0	13,0	22,0	7,0	50,0	0,8	x	x	x	x	x	x	x	x	x	x			

Wypychacze do form wtryskowych