

WYPYCHACZE TULEJOWE AZOTOWANE Z ŁBEM CYLINDRYCZNYM

EJECTOR SLEEVES NITRIDED WITH CYLINDRICAL HEAD

DIN 16756 / ISO 8405

ECBA

Materiał / Material

WS - 1.2510
Łeb spęczniony. Trzpień szlifowany i azotowany gazowo
Head hot folded, shaft fine ground finished and gas nitrided.

Twardość / Hardness

Powierzchnia / Surface 70 HRC
Rdzeń / Core 40-45 HRC
Łeb / Head 45±5 HRC

Warunki pracy / working conditions

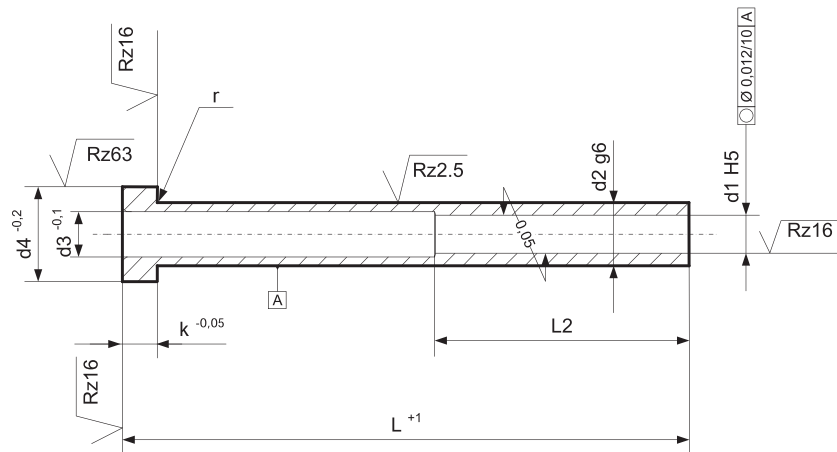
Odporność temp./ Temp. resistance: 650 °C
Wytrzymałość rdzenia / Core STRENGTH approx. 150Kp/mm²

Jak zamówić / How to order

Symbol: ECBA
+
d1: 6,0
+
d2: 10,0
+
L: 200

ECBA 6,0x10,0x200

Inne wymiary na żądanie
Other dimensions on demand



d1	d2	d3	d4	k	L2	r	L +1										
							75	100	125	150	175	200	225	250	275	300	
1.6	3.0	2.0	6.0	3.0	350	0.3	x	x	x	x	x	x	x				
2.0	4.0	2.5	8.0	3.0	350	0.3	x	x	x	x	x	x	x				
2.2	4.0	2.5	8.0	3.0	350	0.3	x	x	x	x	x	x	x				
2.5	5.0	3.0	10.0	3.0	350	0.3	x	x	x	x	x	x	x				
2.7	5.0	3.0	10.0	3.0	450	0.3	x	x	x	x	x	x	x				
3.0	5.0	3.5	10.0	3.0	450	0.3	x	x	x	x	x	x	x	x	x	x	x
3.2	5.0	3.5	10.0	3.0	450	0.3	x	x	x	x	x	x	x	x	x	x	x
3.5	6.0	4.0	12.0	5.0	450	0.5	x	x	x	x	x	x	x	x	x	x	x
3.7	6.0	4.0	12.0	5.0	450	0.5	x	x	x	x	x	x	x	x	x	x	x
4.0	6.0	4.5	12.0	5.0	450	0.5	x	x	x	x	x	x	x	x	x	x	x
4.2	8.0	5.0	14.0	5.0	450	0.5	x	x	x	x	x	x	x	x	x	x	x
4.5	8.0	5.0	14.0	5.0	450	0.5	x	x	x	x	x	x	x	x	x	x	x
5.0	8.0	5.5	14.0	5.0	450	0.5	x	x	x	x	x	x	x	x	x	x	x
5.2	8-9	5.5	14.0	5.0	450	0.5	x	x	x	x	x	x	x	x	x	x	x
5.5	9.0	6.0	16.0	5.0	450	0.5	x	x	x	x	x	x	x	x	x	x	x
6.0	10.0	6.5	16.0	5.0	450	0.5	x	x	x	x	x	x	x	x	x	x	x
6.2	10.0	6.5	16.0	5.0	450	0.5	x	x	x	x	x	x	x	x	x	x	x
6.5	10.0	6.5	16.0	5.0	450	0.8	x	x	x	x	x	x	x	x	x	x	x
8.0	12.0	8.5	20.0	7.0	450	0.8	x	x	x	x	x	x	x	x	x	x	x
8.2	12.0	8.5	20.0	7.0	450	0.8	x	x	x	x	x	x	x	x	x	x	x
10.0	14.0	10.5	22.0	7.0	500	0.8	x	x	x	x	x	x	x	x	x	x	x
10.5	14.0	11.0	22.0	7.0	500	0.8	x	x	x	x	x	x	x	x	x	x	x
12.0	16.0	12.5	22.0	7.0	500	0.8	x	x	x	x	x	x	x	x	x	x	x
12.5	16.0	13.0	22.0	7.0	500	0.8	x	x	x	x	x	x	x	x	x	x	x