

SŁUPY PROWADZĄCE

DEMOUNTABLE GUIDE PILLARS

STANDARD
WŁOSKI

CEBT

Materiał / Material

1.7131

Twardość / Hardness

61 + 63 HRC

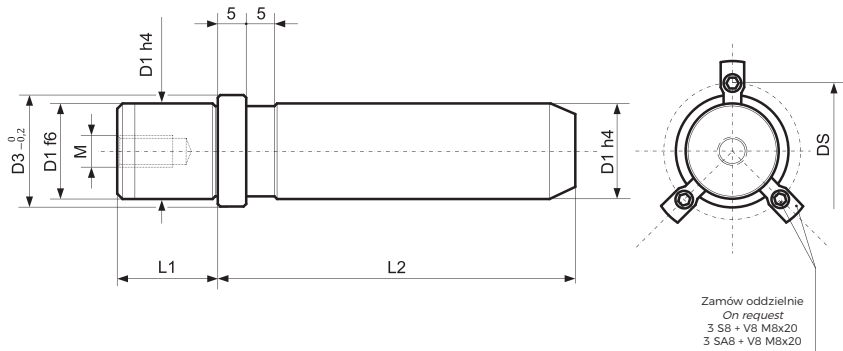
Jak zamówić / How to order

Symbol: **CEBT63140**

Inne wymiary na żądanie
Other dimensions on demand

Podkładki RTE pod słup str. 293
Washer RTE for pillars page 293

Zaczepty i śruby str. 285
Retaining clamps and screws page 285



| Symbol | D1 | L1 | L2 | D3 | M | DS |
|-----------|----|----|-----|----|-----|----|
| CEBT63130 | | | 130 | | | |
| CEBT63140 | | | 140 | | | |
| CEBT63150 | | | 150 | | | |
| CEBT63160 | 63 | 49 | 160 | 77 | M12 | 87 |
| CEBT63170 | | | 170 | | | |
| CEBT63180 | | | 180 | | | |
| CEBT63200 | | | 200 | | | |
| CEBT63220 | | | 220 | | | |

| Symbol | D1 | L1 | L2 | D3 | M | DS |
|-----------|----|----|-----|----|-----|----|
| CEBT63240 | | | 240 | | | |
| CEBT63260 | | | 260 | | | |
| CEBT63280 | | | 280 | | | |
| CEBT63300 | 63 | 49 | 300 | 77 | M12 | 87 |
| CEBT63320 | | | 320 | | | |
| CEBT63360 | | | 360 | | | |
| CEBT63400 | | | 400 | | | |

SŁUPY PROWADZĄCE

DEMOUNTABLE GUIDE PILLARS

STANDARD
WŁOSKI

CEW

Materiał / Material

1.7131

Twardość / Hardness

61 + 63 HRC

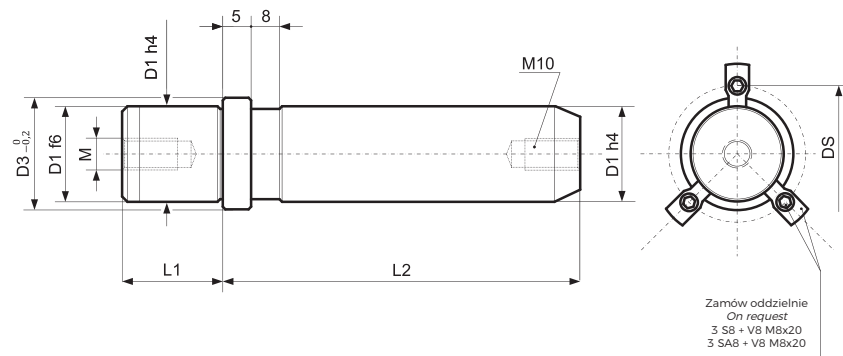
Jak zamówić / How to order

Symbol: **CEW80320**

Inne wymiary na żądanie
Other dimensions on demand

Podkładki RTE pod słup str. 293
Washer RTE for pillars page 293

Zaczepty i śruby str. 285
Retaining clamps and screws page 285



| Symbol | D1 | L2 | L1 | D3 | M | DS |
|----------|----|-----|----|----|-----|-----|
| CEW80180 | | 180 | | | | |
| CEW80200 | | 200 | | | | |
| CEW80220 | 80 | 220 | 59 | 93 | M12 | 103 |
| CEW80240 | | 240 | | | | |
| CEW80260 | | 260 | | | | |

| Symbol | D1 | L2 | L1 | D3 | M | DS |
|----------|----|-----|----|----|-----|-----|
| CEW80280 | | 280 | | | | |
| CEW80300 | | 300 | | | | |
| CEW80320 | 80 | 320 | 59 | 93 | M12 | 103 |
| CEW80360 | | 360 | | | | |
| CEW80400 | | 400 | | | | |