

**TULEJE PROWADZĄCE**  
PILOT BUSH

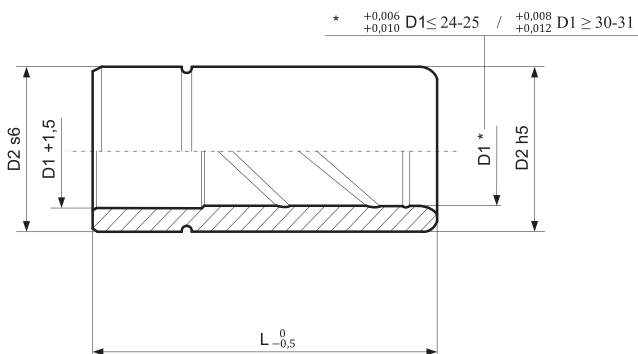
Materiał / Material

1.7131

Twardość / Hardness

61 ÷ 63 HRC

Jak zamówić / How to order

Symbol: **B44060**Inne wymiary na żądanie  
Other dimensions on demand

Symbol	D1	D2	L
B41535	15	26	35
B41550	15	26	50
B41635	16	26	35
B41650	16	26	50
B41745	17	28	45
B41755	17	28	55
B41845	18	28	45
B41855	18	28	55
B41945	19	30	45
B41960	19	30	60

Symbol	D1	D2	L
B42045	20	30	45
B42060	20	30	60
B42450	24	36	50
B42470	24	36	70
B42550	25	36	50
B42570	25	36	70
B43055	30	45	55
B43080	30	45	80
B43155	31	45	55
B43180	31	45	80

Symbol	D1	D2	L
B44060	40	55	60
B440100	40	55	100
B44160	41	55	60
B441100	41	55	100
B45060	50	70	60
B450100	50	70	100
B45160	51	70	60
B451100	51	70	100
B463100	63	85	100

**TULEJE PROWADZĄCE  
Z WKŁADKĄ BRĄZOWĄ**  
PILOT BUSH, STEEL / BRONZE

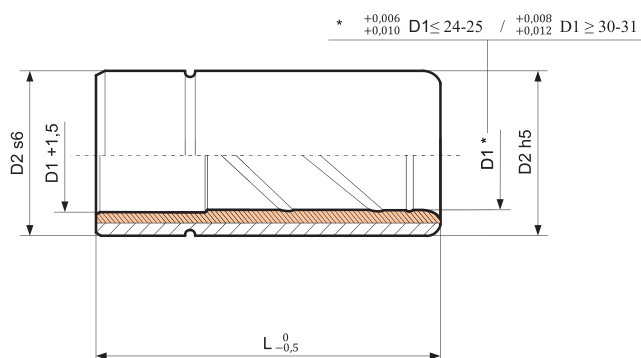
Materiał / Material

1.7131  
BRĄZ / BRONZE

Twardość / Hardness

52 ÷ 54 HRC

Jak zamówić / How to order

Symbol: **B4B2570**Inne wymiary na żądanie  
Other dimensions on demand

Symbol	D1	D2	L
B4B1535	15	26	35
B4B1550	15	26	50
B4B1635	16	26	35
B4B1650	16	26	50
B4B1745	17	28	45
B4B1755	17	28	55
B4B1845	18	28	45
B4B1855	18	28	55
B4B1945	19	30	45
B4B1960	19	30	60

Symbol	D1	D2	L
B4B2045	20	30	45
B4B2060	20	30	60
B4B2450	24	36	50
B4B2470	24	36	70
B4B2550	25	36	50
B4B2570	25	36	70
B4B3055	30	45	55
B4B3080	30	45	80
B4B3155	31	45	55
B4B3180	31	45	80

Symbol	D1	D2	L
B4B4060	40	55	60
B4B40100	40	55	100
B4B4160	41	55	60
B4B41100	41	55	100
B4B5060	50	70	60
B4B50100	50	70	100
B4B5160	51	70	60
B4B51100	51	70	100
B4B63100	63	85	100