

# SŁUPY STOŻKOWE

DEMOUNTABLE CONICAL PILLARS

## DIN 9825 / ISO 9182-4

# C5A

Symbol	D1	Symbol	D1	L1	L3	L	M	S	D5
C5A48140	48	C5A50140	50	140	58	180	M10x20	5	50
C5A48160		C5A50160		160		200			
C5A48180		C5A50180		180		220			
C5A48200		C5A50200		200		240			
C5A48224		C5A50224		224		264			
C5A48250		C5A50250		250		290			
C5A48280		C5A50280		280		320			
C5A48315		C5A50315		315		355			
C5A48355		C5A50355		355		395			
C5A60160		60		C5A63160		63			
C5A60180	C5A63180		180	231					
C5A60200	C5A63200		200	251					
C5A60224	C5A63224		224	275					
C5A60250	C5A63250		250	301					
C5A60280	C5A63280		280	331					
C5A60315	C5A63315		315	366					
C5A60355	C5A63355		355	406					

# TULEJE STOŻKOWE

DEMOUNTABLE CONICAL BUSH

## DIN 9825 / ISO 9182-4

# BEAC

Materiał / Material

1.7131

Twardość / Hardness

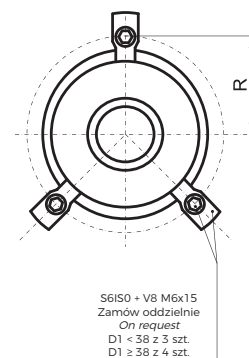
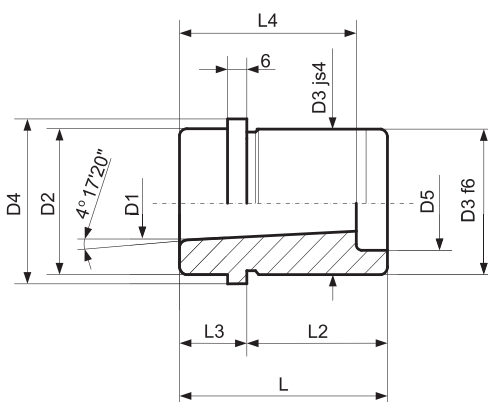
61 ± 63 HRC

Jak zamówić / How to order

Symbol: BEAC3247

Inne wymiary na żądanie  
Other dimensions on demand

Zaczepty i śruby str. 285  
Retaining clamps and screws page 285



Symbol	D1	L	D2	D3	D4	D5	R	L2	L3	L4
BEAC2437	24	49	40	40	48	26	30	37	12	36
BEAC2447	24	59	40	40	48	26	30	47	12	36
BEAC2537	25	49	40	40	48	26	30	37	12	36
BEAC2547	25	59	40	40	48	26	30	47	12	36
BEAC3037	30	52	48	48	56	33	33,5	37	15	49
BEAC3047	30	62	48	48	56	33	33,5	47	15	49
BEAC3237	32	52	48	48	56	33	33,5	37	15	49
BEAC3247	32	62	48	48	56	33	33,5	47	15	49
BEAC3847	38	62	58	58	66	41	38,5	47	15	49
BEAC3860	38	75	58	58	66	41	38,5	60	15	49

Symbol	D1	L	D2	D3	D4	D5	R	L2	L3	L4
BEAC4047	40	62	58	58	66	41	38,5	47	15	49
BEAC4060	40	75	58	58	66	41	38,5	60	15	49
BEAC4847	48	65	70	70	80	51	45,5	47	18	59
BEAC4860	48	78	70	70	80	51	45,5	60	18	59
BEAC5047	50	65	70	70	80	51	45,5	47	18	59
BEAC5060	50	78	70	70	80	51	45,5	60	18	59
BEAC6060	60	78	85	85	95	64	53	60	18	70
BEAC6077	60	95	85	85	95	64	53	77	18	70
BEAC6360	63	78	85	85	95	64	53	60	18	70
BEAC6377	63	95	85	85	95	64	53	77	18	70