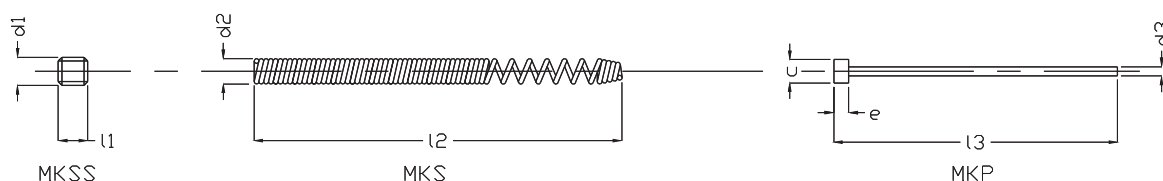


# KOMPONENTY DO STEMPLI Z ODKLEJACZEM

## COMPONENTS

# MK



D	5	6	8	10	13	16	20	25	32
d1	M2,5 x 0,45	M3 x 0,5	M4 x 0,7	M5 x 0,8	M5 x 0,8	M5 x 0,8	M6 x 1,0	M6 x 1,0	M6 x 1,0
l1	5	5	5	5	5	5	6	6	6
d2	2,01	2,39	3,30	4,19	4,19	4,19	5,03	5,03	5,03
l2	50,80	60,45	66,80	76,20	76,20	76,20	76,20	76,20	76,20
d3	0,51	0,69	1,04	1,47	1,47	1,47	2,26	2,26	2,26
l3	28,19	50,8	50,8	50,8	50,8	50,8	57,15	57,15	57,15
c	1,22	1,86	2,39	3,05	3,05	3,05	3,96	3,96	3,96
e	0,76	1,19	1,58	1,58	1,58	1,58	2,39	2,39	2,39

Przykład zamówienia: ZESTAW, MK D=10 (D = średnica obsady stempla)  
Przykład pojedynczego komponentu: MKS D=10

Order example: KIT, MK D=10 (D = punch diameter)  
Single component order example: MKS D=10

# PIERŚCIENIE DO STEMPLI Z ŁBEM

## W KSZTAŁCIE SZYJKI BUTELKI

### SUPPORTING RING FOR BOTTLE-NECK PUNCH

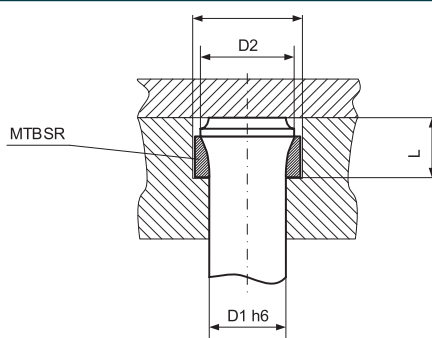
# MTBSR

Materiał / Material

STAL HARTOWANA  
TEMPERED STEEL



Przykład zamówienia: MTBSR.130  
Order example: MTBSR.130



SYMBOL	D1	D2	D3	L
MTBSR.030	3,0	4,5	6	7
MTBSR.035	3,5	5,0	7	7
MTBSR.040	4,0	5,5	7	8
MTBSR.050	5,0	7,0	9	11
MTBSR.051	5,1	7,0	9	11
MTBSR.055	5,5	8,0	10	11
MTBSR.058	5,8	8,0	10	11
MTBSR.060	6,0	9,0	11	11
MTBSR.065	6,5	10,0	12	11
MTBSR.070	7,0	10,0	12	11
MTBSR.075	7,5	11,0	13	11
MTBSR.080	8,0	11,0	13	12
MTBSR.085	8,5	13,0	15	12
MTBSR.090	9,0	13,0	15	12

SYMBOL	D1	D2	D3	L
MTBSR.095	9,5	14,0	16	12
MTBSR.100	10,0	14,0	16	13
MTBSR.110	11,0	15,0	17	13
MTBSR.120	12,0	16,0	18	13
MTBSR.125	12,5	17,0	19	13
MTBSR.130	13,0	17,0	19	13
MTBSR.140	14,0	18,0	20	13
MTBSR.150	15,0	19,0	21	13
MTBSR.160	16,0	20,0	22	13
MTBSR.170	17,0	21,0	23	13
MTBSR.180	18,0	22,0	24	13
MTBSR.190	19,0	23,0	25	13
MTBSR.200	20,0	25,0	27	14