

# MATRYCE

DIES

## DIN 9845

# 10BT

**Materiał / Material**

HWS\*  
HSS\*\*

**Twardość / Hardness**

\*HWS 60 / 62 HRC  
\*\*HSS 62 / 64 HRC

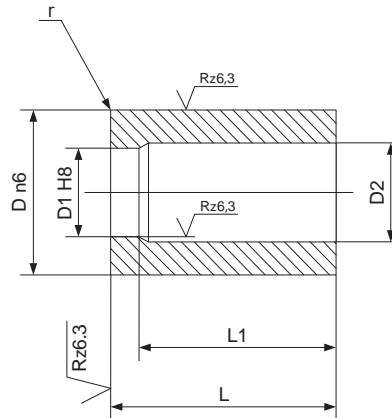
**Jak zamówić / How to order**

Symbol: 10BT  
 Forma: A  
 Materiał: HSS  
 D1: 4,1  
 L: 28  
 10BTA HSS 4,1x28

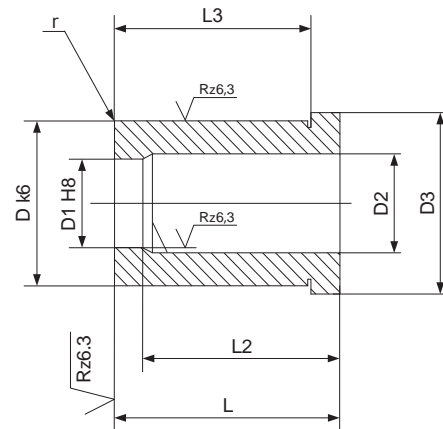
Inne wymiary na żądanie  
 Other dimensions on demand



**Forma A**



**Forma B**



Matryce

| D1          | D  | D2        | Forma A |    |    |
|-------------|----|-----------|---------|----|----|
| H8          | n6 | +0,1 -0,1 | L       | L1 |    |
| 1,0         | 6  | d1 + 0,6  | 20      | 17 |    |
| 1,1 - 1,8   | 6  |           | 20      | 17 |    |
|             |    |           | 28      | 25 |    |
| 1,9 - 2,6   | 7  |           | 20      | 17 |    |
|             |    |           | 28      | 25 |    |
| 2,7 - 3,3   | 7  |           | 20      | 17 |    |
|             |    |           | 28      | 25 |    |
| 3,4 - 4,0   | 8  |           | 20      | 17 |    |
|             |    |           | 28      | 25 |    |
| 4,1 - 5,0   | 10 |           | d1 + 1  | 20 | 17 |
|             |    |           |         | 28 | 25 |
| 5,1 - 6,0   | 12 |           |         | 20 | 16 |
|             |    | 28        |         | 24 |    |
| 6,1 - 8,0   | 15 | 20        |         | 16 |    |
|             |    | 28        |         | 24 |    |
| 8,1 - 10,0  | 18 | 20        |         | 16 |    |
|             |    | 28        |         | 24 |    |
| 10,1 - 12,0 | 22 | 20        |         | 15 |    |
|             |    | 28        |         | 23 |    |
| 12,1 - 15,0 | 26 | 20        |         | 15 |    |
|             |    | 28        |         | 23 |    |

| D1          | D  | D3   | D2        | Forma B |    |    |    |
|-------------|----|------|-----------|---------|----|----|----|
| H8          | k6 | -0,1 | +0,1 -0,1 | L       | L2 | L3 |    |
| 1,0         | 6  | 8    | d1 + 0,6  | 20      | 17 | 16 |    |
| 1,1 - 1,8   | 6  | 8    |           | 20      | 17 | 14 |    |
|             |    |      |           | 28      | 25 | 24 |    |
| 1,9 - 2,6   | 7  | 9    |           | 20      | 17 | 16 |    |
|             |    |      |           | 28      | 25 | 24 |    |
| 2,7 - 3,3   | 7  | 9    |           | 20      | 17 | 16 |    |
|             |    |      |           | 28      | 25 | 24 |    |
| 3,4 - 4,0   | 8  | 10   |           | 20      | 17 | 16 |    |
|             |    |      |           | 28      | 25 | 24 |    |
| 4,1 - 5,0   | 10 | 12   |           | d1 + 1  | 20 | 17 | 16 |
|             |    |      |           |         | 28 | 25 | 24 |
| 5,1 - 6,0   | 12 | 14   |           |         | 20 | 16 | 16 |
|             |    |      | 28        |         | 24 | 24 |    |
| 6,1 - 8,0   | 15 | 17   | 20        |         | 16 | 16 |    |
|             |    |      | 28        |         | 24 | 24 |    |
| 8,1 - 10,0  | 18 | 20   | 20        |         | 16 | 16 |    |
|             |    |      | 28        |         | 24 | 24 |    |
| 10,1 - 12,0 | 22 | 24   | 20        |         | 15 | 16 |    |
|             |    |      | 28        |         | 23 | 24 |    |
| 12,1 - 15,0 | 26 | 28   | 20        |         | 15 | 16 |    |
|             |    |      | 28        |         | 23 | 24 |    |