

Akcesoria do sprężyn gazowych

Accessories for nitrogen gas springs for dies



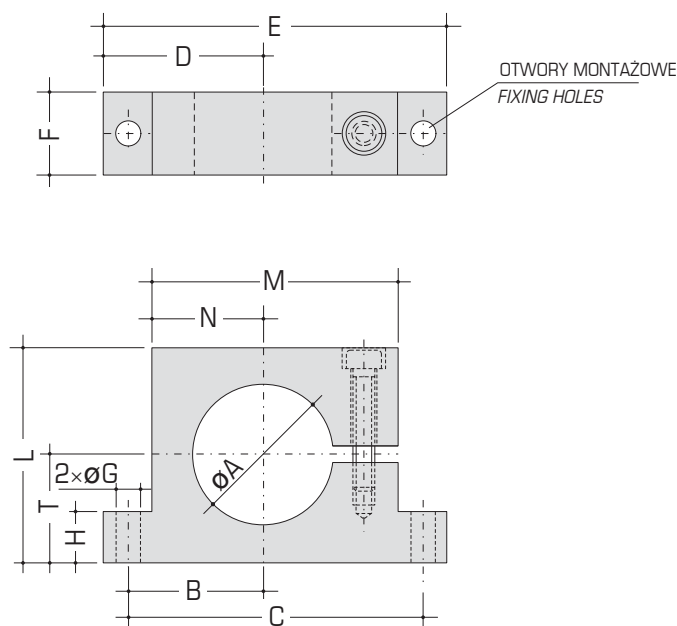
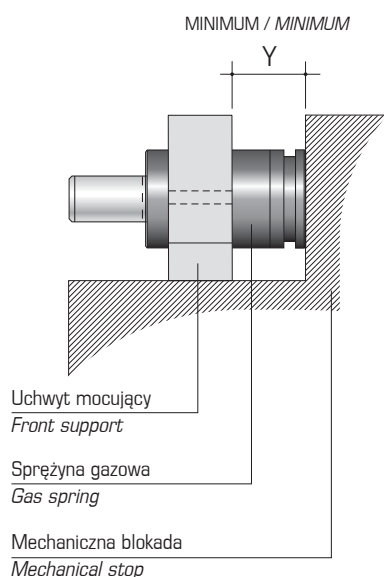
CISO uchwyty mocujące

CISO front supports

Standardowe elementy stalowe do mocowania sprężyn gazowych: uchwyty mocujące do serii CISO.

Steel elements for nitrogen gas springs fixing: front supports for CISO series.

WYMIARY / DIMENSIONS



DO SPRĘŻYN GAZOWYCH CISO / FOR CISO GAS SPRINGS

MODEL MODEL	A mm	B mm	C mm	D mm	E mm	F mm	G mm	H mm	L mm	M mm	N mm	T mm	Y (MIN.) mm
FACISO 32	32	31	72	40	90	25	8.5	15	45	54	22	22.5	25
FACISO 38	38	34	77	42	95	25	8.5	15	55	59	25	27.5	25
FACISO 45	45	37	82	46	100	25	8.5	15	60	64	28	30	40
FACISO 50	50	50	110	60	130	30	9	20	80	90	40	40	40
FACISO 75	75	63.5	137	75	160	30	11	20	105	115	52.5	52.5	40
FACISO 95	95	80	170	92.5	195	30	13.5	20	125	145	67.5	62.5	40
FACISO 120	120	92.5	195	105	220	30	13.5	20	148	165	77.5	74	40
FACISO 150	150	110	230	125	260	30	13.5	20	200	200	95	100	40