

## ZRYWACZE

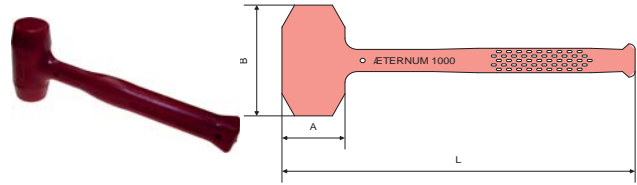
PUSH-RODS



SYMBOL CODE	D mm	H mm
U92-PU-2X15	2	15
U92-PU-3X15	3	15
U92-PU-4,5X15	4,5	15
U92-PU-6X20	6	20

## MŁOTKI

MALLETS

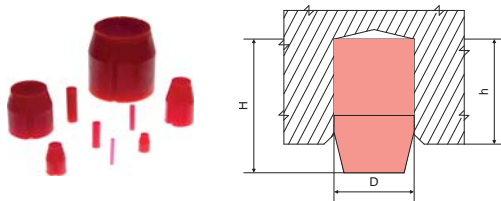


SYMBOL CODE	Waga / weight g	A mm	B mm	L mm
U92-MZ-600	600	50	100	270
U92-MZ-1000	1000	60	115	300
U92-MZ-1500	1500	65	130	350

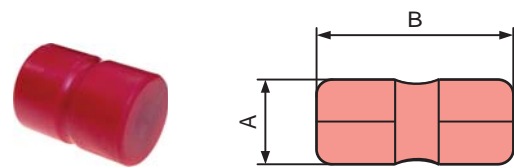
## ZRYWACZE STOŻKOWE ODBIJACZE

CONE-SHAPED PUSH-RODS

SHOCK ABSORBERS



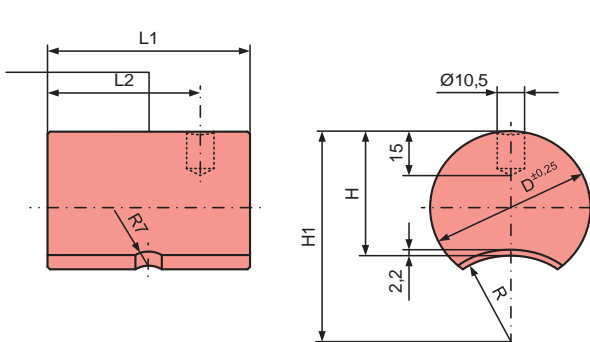
SYMBOL CODE	D mm	H mm	h mm
U92-PU-6X10	6	10	8
U92-PU-10X15	10,3	15	13
U92-PU-16X25	16,4	25	21
U92-PU-24X25	24,7	25	20
U92-PU-40X40	40,8	40	35



SYMBOL CODE	A mm	B mm
U92-C0488	25	45
U92-C0489	32	50
U92-C0490	40	60
U92-C0491	50	70
U92-C0492	63	80
U92-C0493	80	90

## ODBIJACZE

SHOCK ABSORBERS



SYMBOL CODE	D mm	H mm	H1 mm	L1 mm	L2 mm	R mm
U92-C0992	40	32	50	60	45	18
U92-C0993	50	40	63	80	60	23
U92-C0994	63	51	86	80	60	35