

TULEJE PROWADZĄCE Z KOŁNIERZEM

GUIDE BUSHES WITH COLLAR

B11M

Materiał / Material

1.7131

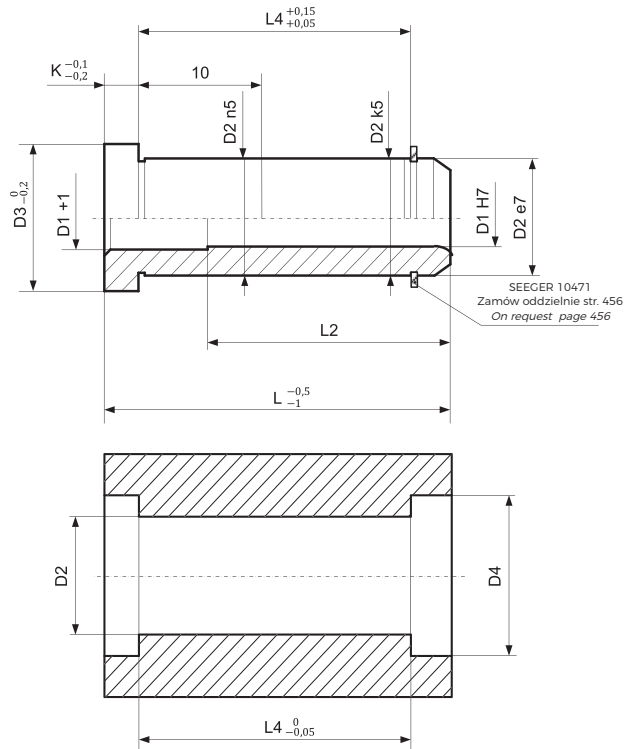
Twardość / Hardness

61 ± 63 HRC

Jak zamówić / How to order

Symbol: B11M4266

Inne wymiary na żądanie
Other dimensions on demand



Elementy prowadzące do form wtryskowych

Symbol	D1	Symbol	D1	L	L2	L4	D2	D3	D4	K
B11M1417	14	B11M1517	15	17	-	7	20	25	29	6
B11M1422		B11M1522		22		12				
B11M1427		B11M1527		27		17				
B11M1436		B11M1536		36		26				
B11M1446		B11M1546		46		36				
B11M1456		B11M1556		56		46				
B11M1466		B11M1566		66		56				
B11M1476		B11M1576		76		66				
B11M1486		B11M1586		86		76				
B11M1496		B11M1596		96		86				
B11M1617	16		-	17	-	7	22	26	30,8	6
B11M1622				22		12				
B11M1627				27		17				
B11M1636				36		26				
B11M1646				46		36				
B11M1656				56		46				
B11M1666				66		56				
B11M1676				76		66				
B11M1686				86		76				
B11M1696				96		86				
B11M1817	18	B11M2017	20	17	-	7	26	31	35,5	6
B11M1822		B11M2022		22		12				
B11M1827		B11M2027		27		17				
B11M1836		B11M2036		36		26				
B11M1846		B11M2046		46		36				
B11M1856		B11M2056		56		46				
B11M1866		B11M2066		66		56				
B11M1876		B11M2076		76		66				
B11M1886		B11M2086		86		76				
B11M1896		B11M2096		96		86				
B11M18116		B11M20116		116		106				

TULEJE PROWADZĄCE Z KOŁNIERZEM

GUIDE BUSHES WITH COLLAR

B11M

Symbol	D1	Symbol	D1	L	L2	L4	D2	D3	D4	K							
B11M2222	22	B11M2422	24	22	76	11	30	35	40.5	6							
B11M2227		B11M2427		27		16											
B11M2236		B11M2436		36		25											
B11M2246		B11M2446		46		35											
B11M2256		B11M2456		56		45											
B11M2266		B11M2466		66		55											
B11M2276		B11M2476		76		65											
B11M2286		B11M2486		86		75											
B11M2296		B11M2496		96		85											
B11M22116		B11M24116		116		105											
B11M22136		B11M24136		136		125											
B11M3027		30		B11M3227		32					27	96	14	42	47	55.7	6
B11M3036	B11M3236		36	23													
B11M3046	B11M3246		46	33													
B11M3056	B11M3256		56	43													
B11M3066	B11M3266		66	53													
B11M3076	B11M3276		76	63													
B11M3086	B11M3286		86	73													
B11M3096	B11M3296		96	83													
B11M30116	B11M32116		116	103													
B11M30136	B11M32136		136	123													
B11M30156	B11M32156		156	143													
B11M4046	40		B11M4246	42	46		116	28	54	59	69.2		10				
B11M4056		B11M4256	56		38												
B11M4066		B11M4266	66		48												
B11M4076		B11M4276	76		58												
B11M4086		B11M4286	86		68												
B11M4096		B11M4296	96		78												
B11M40116		B11M42116	116		98												
B11M40136		B11M42136	136		118												
B11M40156		B11M42156	156		138												
B11M40196		B11M42196	196		178												
B11M5076		50	B11M5276		52	76		116				58		66	71	81.4	10
B11M5096			B11M5296			96						78					
B11M50116	B11M52116		116	98													
B11M50136	B11M52136		136	118													
B11M50156	B11M52156		156	138													
B11M50196	B11M52196		196	178													
B11M50246	B11M52246		246	228													

TULEJE PROWADZĄCE Z KOŁNIERZEM

GUIDE BUSHES WITH COLLAR

B11H

Materiał / Material

1.7131

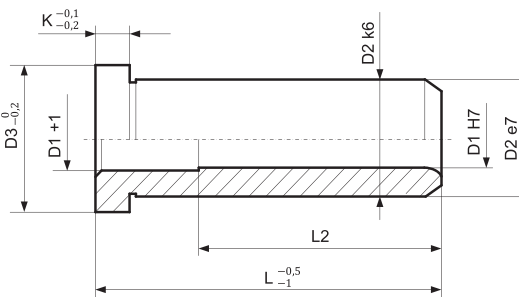
Twardość / Hardness

61 + 63 HRC

Jak zamówić / How to order

Symbol: B11H6096

Inne wymiary na żądanie
Other dimensions on demand



Symbol	D1	L	L2	D2	D3	K	Symbol	D1	L	L2	D2	D3	K
B11H6096	60	96	-	80	86	20	B11H60156	60	156	136	80	86	20
B11H60116		116					B11H60196		196				
B11H60136		136					B11H60246		246				

Elementy prowadzące do form wtryskowych