

Akcesoria do sprężyn gazowych

Accessories for nitrogen gas springs for dies



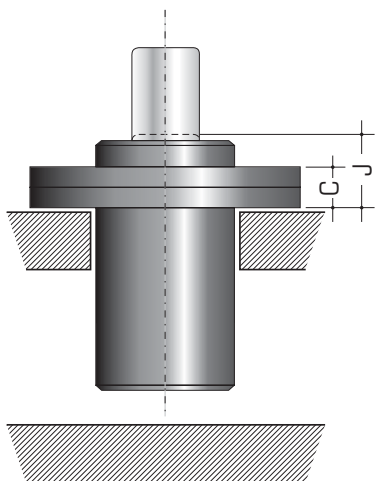
CISO kołnierze mocujące

CISO collar flanges

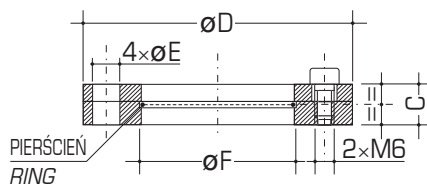
Standardowe elementy stalowe do mocowania sprężyn gazowych: kołnierze mocujące do serii CISO.

Steel elements for nitrogen gas springs fixing: collar flanges for CISO series.

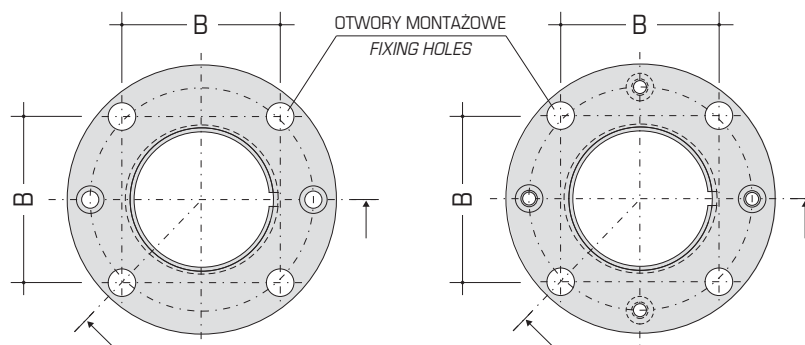
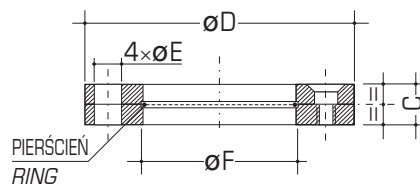
WYMIARY / DIMENSIONS



RYS. 1
Asymetryczny
Asymmetrical



RYS. 2
Symetryczny
Symmetrical



DO SPRĘŻYN GAZOWYCH CISO / FOR CISO GAS SPRINGS

| MODEL MODEL | B mm | C mm | D mm | E mm | F mm | PIERŚCIEŃ / RING Ø mm | J mm | RYS. |
|----------------|---------|---------|---------|---------|---------|--------------------------|---------|------|
| FRCISO 32 | 35 | 9 | 60 | 6.6 | 34 | 2 | 17 | 2 |
| FRCISO 32A | 35 | 9 | 60 | 6.6 | 34 | 2 | 17 | 1 |
| FRCISO 38 | 40 | 9 | 68 | 6.6 | 40 | 2 | 17 | 2 |
| FRCISO 38A | 40 | 9 | 68 | 6.6 | 40 | 2 | 17 | 1 |
| FRCISO 45 | 50 | 13 | 86 | 9 | 47 | 2 | 23 | 2 |
| FRCISO 45A | 50 | 13 | 86 | 9 | 47 | 2 | 23 | 1 |
| FRCISO 50 | 56.5 | 13 | 95 | 9 | 54 | 4 | 24 | 2 |
| FRCISO 50A | 56.5 | 13 | 95 | 9 | 54 | 4 | 24 | 1 |

DO SPRĘŻYN GAZOWYCH CISO / FOR CISO GAS SPRINGS

| MODEL MODEL | B mm | C mm | D mm | E mm | F mm | PIERŚCIEŃ / RING Ø mm | J mm | RYS. |
|----------------|---------|---------|---------|---------|---------|--------------------------|---------|------|
| FRCISO 75 | 73.5 | 16 | 122 | 11 | 80 | 5 | 29 | 2 |
| FRCISO 75A | 73.5 | 16 | 122 | 11 | 80 | 5 | 29 | 1 |
| FRCISO 95 | 92 | 18 | 150 | 13.5 | 100 | 5 | 33 | 2 |
| FRCISO 95A | 92 | 18 | 150 | 13.5 | 100 | 5 | 33 | 1 |
| FRCISO 120 | 109.5 | 21 | 175 | 13.5 | 125 | 5 | 36 | 2 |
| FRCISO 120A | 109.5 | 21 | 175 | 13.5 | 125 | 5 | 36 | 1 |
| FRCISO 150 | 138 | 27 | 220 | 17.5 | 155 | 5 | 41 | 2 |
| FRCISO 150A | 138 | 27 | 220 | 17.5 | 155 | 5 | 41 | 1 |